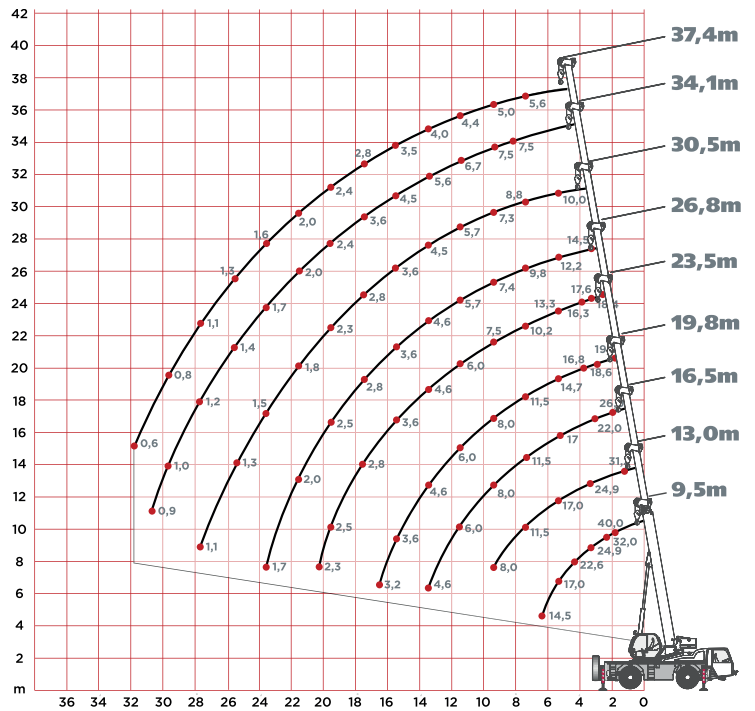


TEREX AC35L



All terrain crane 35t lifting capacity

The AC35L All Terrain Crane has the longest main boom in its category, 37.4m. Additionally, it has a maximum tip height of 47m. Its fully hydraulic boom system provides the shortest telescoping times, as well as high load telescoping capacity.

SPECIFICATION:

GENERAL

Lifting Capacity	6,6-21,3m
Longest main boom in its category with 37.4m and a maximum tip height of 47m with the addition of a manual fly jib	
Fully hydraulic boom system provides shortest telescoping times and high load telescoping capacity	
Outriggers- 4 fully hydraulic telescopic outrigger beams and jacks.	Max- 5950 x 6255. Mid- 4790 x 6255. Min-2600 x 6255
Drive/ Steering	4 x 4. 2 wheel steer, all wheel steer, crab steer
Counterweight	5.5t, 3.8t or 2.5t
Safety devices	Electronic safe load indicator, hoist limit switch, pressure relief and safety holding valves

AXLE LOADS

Crane with main boom, 8 m extension, counterweight 3.8t, tyres 16.00 x 25, hook block 25t	
Axle 1	12 800 kg
Axle 2	12 800 kg
Total	25 600 kg



WORKING SPEED/ANGLES

Hoist	(High speed) 115m/min, (Max. permissible line pull) 45/55kN, (Rope diameter) 16mm/160m
Slewing	0 - 2.2 1/min. Continuous 360° slew
Telescoping speed	9.4-37.4m:90s
Boom elevation	-4° - +80°: 36 s

CARRIER PERFORMANCE

Travel speed	0 . . 80 km/h ²)
Gradeability in travel order	> 58%

